




# Bluetooth BLE RS-422/485 Beacon Reader

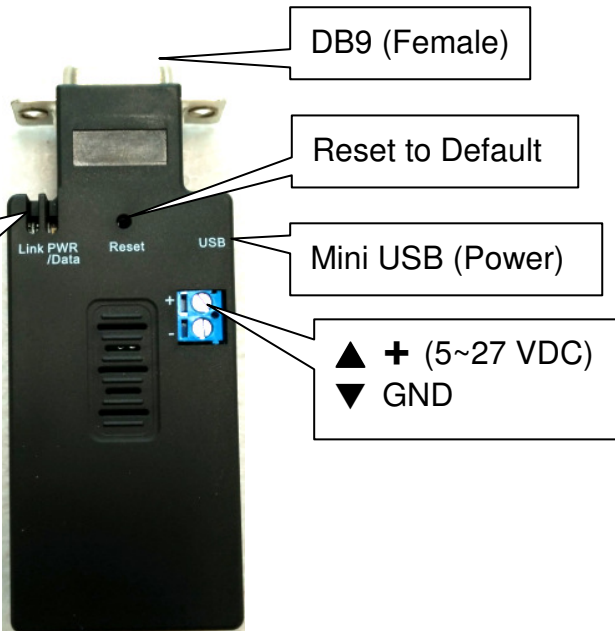
Model: BR232-xx

## 1. Package content:

<p>BLE RS-232 Beacon Reader</p>  <p>White Box Dimension: 11 x 6 x 5 (cm) Total Package Weight: 105 g</p> 	<p>Package Contents:</p> <ul style="list-style-type: none"> <li>● BLE RS-422/485 adapter x 1</li> <li>● Screw x2, Screw nut x 2</li> <li>● A4 User manual x 1</li> <li>● Mini USB Cable x 1</li> </ul> 
---	---

## 2. Profile:

### 2.1 Top view:



LED:  
Link: Blue  
PWR/Data: Red

DB9 (Female)

Reset to Default

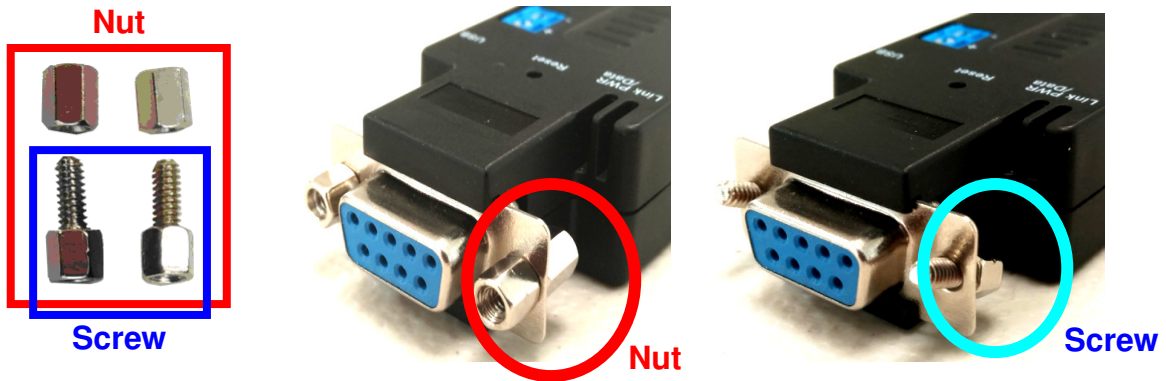
Mini USB (Power)

▲ + (5~27 VDC)  
▼ GND

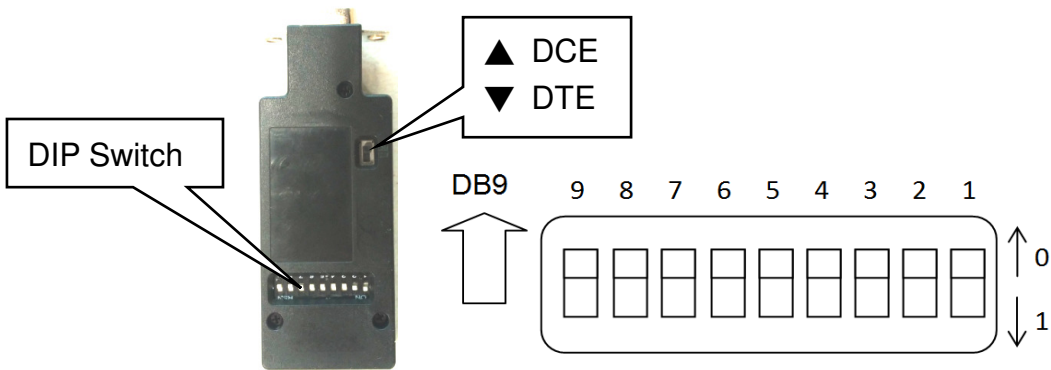
LED Status	Description
Data LED flash	Data transmission
Data LED solid on	No data transmission
Link LED solid on	BLE Link
Link LED flash	No Link
Data & Link LED solid on	DFU/OTA Mode

**2.2 DB9 connector:**

There're 2 screws and 2 nuts inside the package, the screw or nut are available.



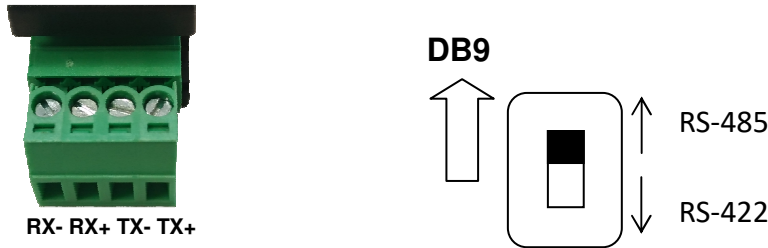
**2.3 Rear Side:**



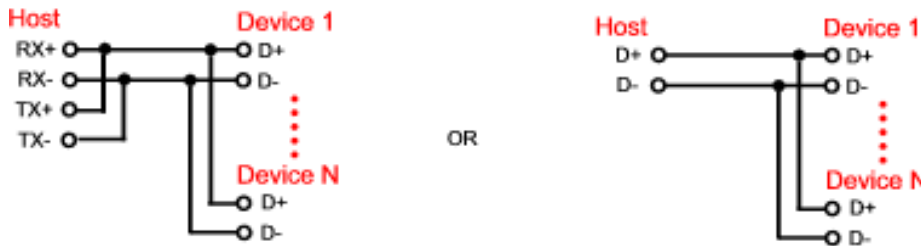
**RSSI Filter Setting: 0 (OFF); 1 (ON)**

DIP1	DIP2	DIP3	DIP4	RSSI
0	0	0	0	-60 dB
0	0	0	1	-62 dB
0	0	1	0	-64 dB
0	0	1	1	-66 dB
0	1	0	0	-68 dB
0	1	0	1	-70 dB
0	1	1	0	-72 dB
0	1	1	1	-74 dB
1	0	0	0	-76 dB
1	0	0	1	-78 dB
1	0	1	0	-80 dB
1	0	1	1	-82 dB
1	1	0	0	-84 dB
1	1	0	1	-86 dB
1	1	1	0	-88 dB
1	1	1	1	-90 dB

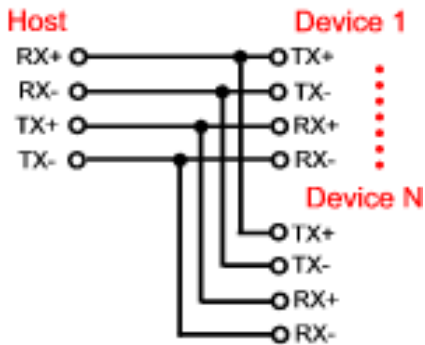
## 2.4 RS422/485 Interface



RS-485: Half Duplex, 2 Wires, RX+ (A), RX-(B)



7.3 RS-422: Full Duplex, 4 Wires, RX+ (A), RX-(B), TX+, TX-



### 3. Power supply:

3.1 Voltage: 5~27 VDC, **Don't exceed the limit.**

3.2 There're 3 ways to power the adapter: Mini USB, Terminal Block and pin9 of DB9, please choose one. **Don't power the adapter by more than two sources.**

3.3 The mini USB cable is inside the standard package.

### 4. Specifications:

4.1 Default value:

- Baud rate: 9,600 bps
- Data bit: 8
- Parity: none
- Stop bit: 1
- Flow control: none

4.2 Range: max. 50 m in open space

4.3 TX Power: Max. 3 dBm

4.4 RX Sensitivity: -89 dBm typical

4.5 TX current consumption of 15.6 mA (radio only, 0 dbm)

4.6 Operation Temperature: -40 °C to +70 °C

4.7 Dimensions: 81.6 mm (L) x 31.75 mm (W) x 17 mm (H)

4.8 Antenna Gain: max. 2 dB

Remark: All contents are subject to change without notice.

### 5. Beacon type:

5.1 iBeacon (Trademark of APPLE) (Model: BR485-iBeacon)

5.2 Active RFID Tag (Model: BR485-RTLS)

5.3 All BLE Beacon (Model: BR485-ALL)

5.4 Proprietary beacon format (Please contact)

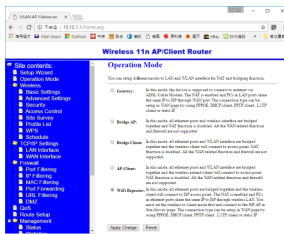
5.5 Flag or Alarm for specific beacon (Please contact)

### 6. Reader Gateway: Option

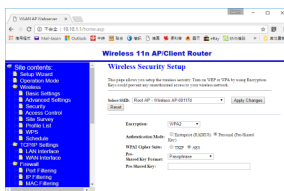


6.1 Support IEEE 802.11bgn Wifi, Ethernet, TCP Server/Client. DHCP Server/Client, AP, Station

6.2 Configuration: Webpage, AP mode, IP: 10.10.1.1 (Default)



6.3 Security: Support Enterprise (RADIUS) WPA(2) encryption



6.4 Support TCP Server & Client



7. Cloud: The cloud of the MQTT, Amazon, Google, IBM, Microsoft or etc. will be customized by the project, please contact the supplier.

Remark: All contents are subject to change without notice.